



## TECHNICAL DATA

Input Voltage: DC 12V  
 Input Current: 25mA Max  
 Input Power: 0.3W  
 Output Current: 10mA Max  
 Output Power: 0.1W  
 Dimming: Class 2, 0-10V DC 10mA Max  
 Sinking Current: 10mA Max

Bluetooth Transmit: 100ft Max  
 Radio Frequency: 2.4GHz ± 75MHz  
 Bluetooth Version: 5.0  
 Housing Material: UL 94-5VA  
 Indoor Use Only  
 Detection Range: 32ft Max  
 Mounting Height: 15ft Max  
 Operating Temperature: -30°C to 55°C,  
 -22°F to 131°F  
 Storage Temperature: -30°C to 85°C,  
 -22°F to 185°F  
 IP Rating: IP20  
 Color: White

Complies to UL8750, RoHS  
 Safety: cULus Recognized Component

## DESCRIPTIONS

BMS-L108-PIR-DC-BLE-KL-AUX-D1 sensors have integrated daylight harvesting and PIR motion sensing capabilities. These sensors are designed to upgrade luminaires with wireless Bluetooth mesh communication, enabling Luminaire Level Lighting Control (LLLC). The compact structure is designed for panels, troffers, strips, wraps, vapor tights and some architecture lighting fixtures.

## FEATURES

- Daylight harvesting + PIR digital sensing technology
- Low-profile linear design with minimal height above luminaire
- 2.5mm Audio Jack Base
- Digital sensor design

### Note:

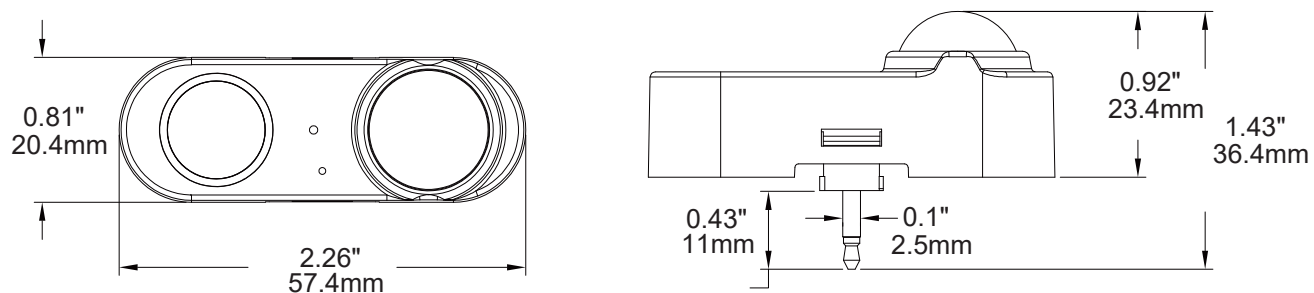
- Requires customized, tooled hole to install this sensor
- Requires Dim-to-Off LED drivers
- Requires Audio Jack receptacle

## ORDERING INFORMATION

Model No.	Description
BMS-L108-PIR-DC-BLE-KL-AUX	Plug and Play Low Bay Sensor- -2.5mm Audio Jack Base

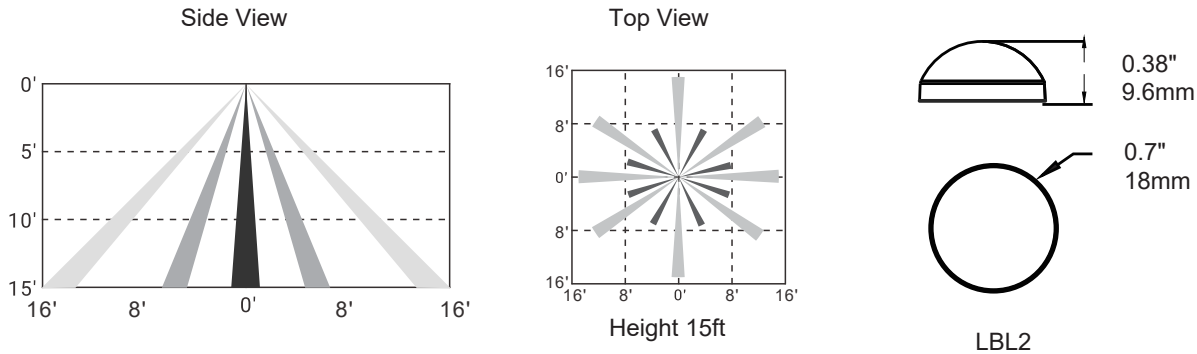
## PHYSICAL DIMENSIONS

Unit:inch/mm

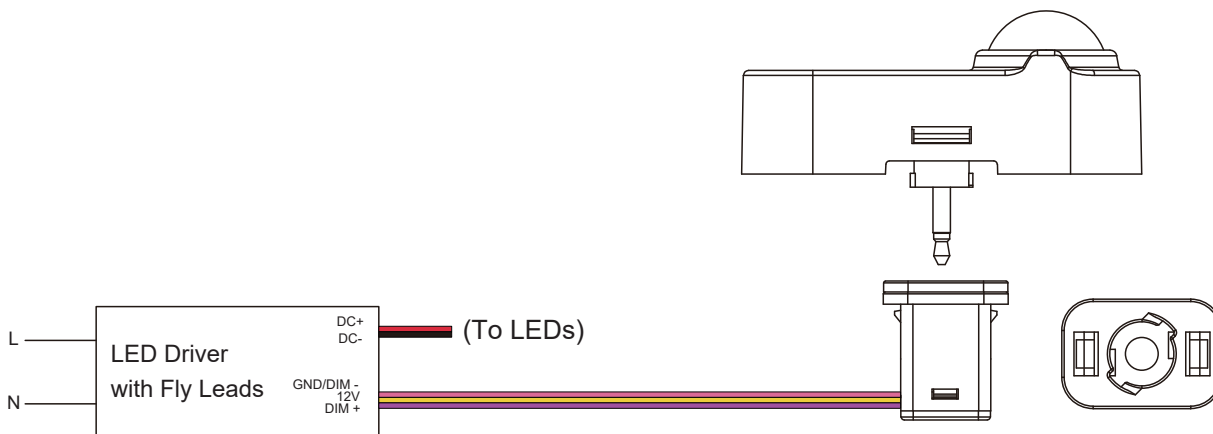


## DETECTION AREA

Unit: inch/mm



## WIRING DIAGRAM



## WARRANTY

Five year limited warranty.

Specifications subject to change without notice.